

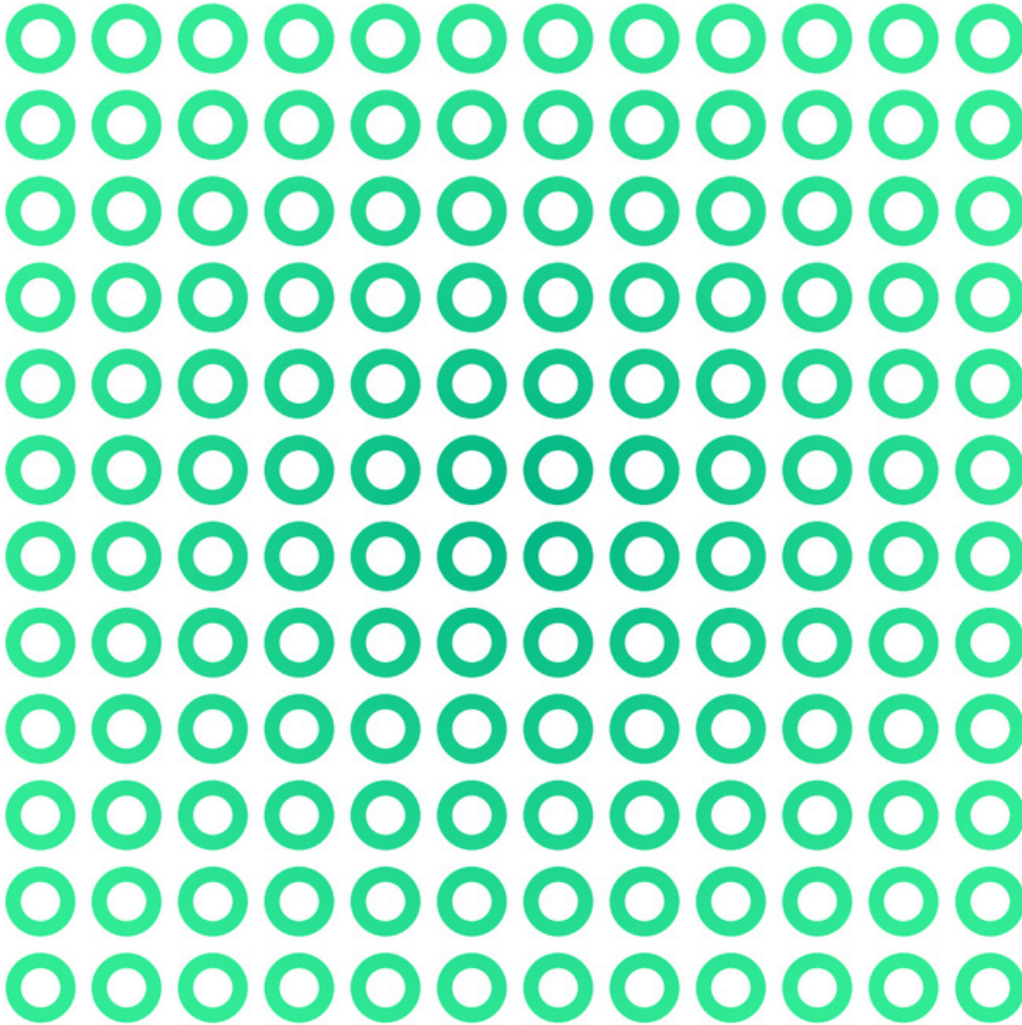


NI is now part of Emerson.



SUPPORT DOCUMENTATION

# CompactDAQ Mounting Accessory Guide





NI is now part of Emerson.



## SUPPORT DOCUMENTATION

# Overview

Use this guide to select the correct mounting accessory for your CompactDAQ Chassis.

# Contents

- Mounting Accessory Selection Table
- Mounting Accessory Images
- Hardware Support

**Quick Tip:** Use CTRL+F on Windows or ⌘+F on MacOS to find your part number.

## Mounting Accessory Selection Table

See images on the following page.

Chassis	Panel	DIN Rail	Desktop
cDAQ-9174 (PN 781157-01) cDAQ-9185 (PN 785064-01)	NI 9904 PN: <a href="#"><u>779097-01</u></a>	NI 9912 PN: <a href="#"><u>779019-01</u></a>	NI 9901 PN: <a href="#"><u>779473-01</u></a>
cDAQ-9178 (PN 781156-01)	NI 9905 PN: <a href="#"><u>779558-01</u></a>	NI 9915 PN: <a href="#"><u>779018-01</u></a>	NI 9901 PN: <a href="#"><u>779473-01</u></a>
cDAQ-9181 (PN 781496-01)	NI 9903 PN: <a href="#"><u>781722-01</u></a>	NI 9913 PN: <a href="#"><u>781740-01</u></a>	N/A
cDAQ-9189 (PN 785065-01)	PN: <a href="#"><u>782863-01</u></a>	NI 9915 PN: <a href="#"><u>779018-01</u></a>	NI 9901 PN: <a href="#"><u>779473-01</u></a>

## Desktop

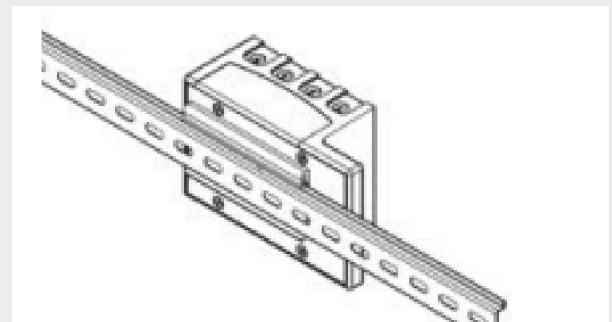
---



Use the NI 9901 mounting kit (above) with your chassis for easier access to connection terminals when working on a desk or workbench.

## DIN Rail

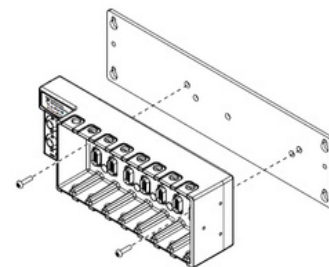
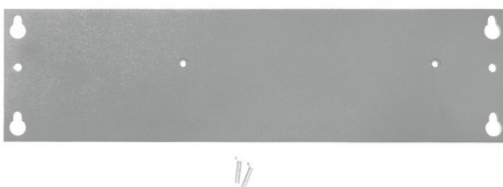
---



The cDAQ DIN rail accessory is a clip that connects to the back of the chassis with screws. The clip attaches to your DIN rail.

## Panel

---



Use panel mount kits to mount your system in an enclosure or panel. The accessory kit for cDAQ chassis is a metal plate with pre-drilled holes so you can mount your system with tool access from the front.



## Have Confidence with NI Support

All NI hardware includes one year of:



Repair/replace warranty  
for manufacturing quality



Technical product support by  
your choice of phone or email.

---

## Call us. We can help.



Sales: 03447 11 11 11 (EU/UK)



<https://uk.farnell.com/b/ni>